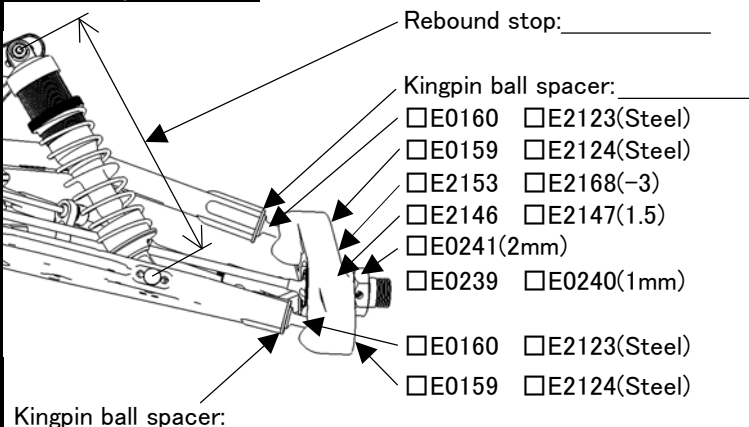


Name: \_\_\_\_\_  
 Date: \_\_\_\_\_  
 Track: \_\_\_\_\_

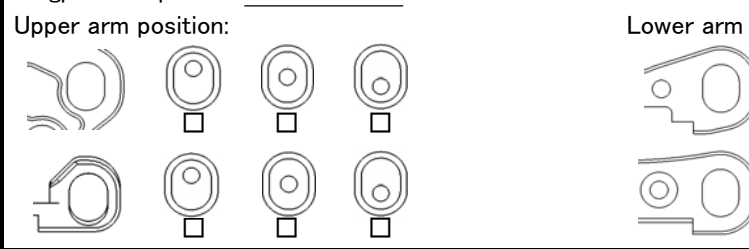
**Track conditions**  
 Size:  Open  Med.  Tight  
 Traction:  High  Med.  Low  
 Surface:  Smooth  Med.  Bumpy

**Result**  
 Race time / Lap: \_\_\_\_\_  
 Best lap (1Lap): \_\_\_\_\_

**Front suspension**



Ride height: \_\_\_\_\_  
 Toe angle: \_\_\_\_\_  
 Lower arm plate:  
 E2161A,B  
 E2166(CFRP)  
 Anti roll bar: \_\_\_\_\_  
 Upper arm spacer:



**Front shocks**

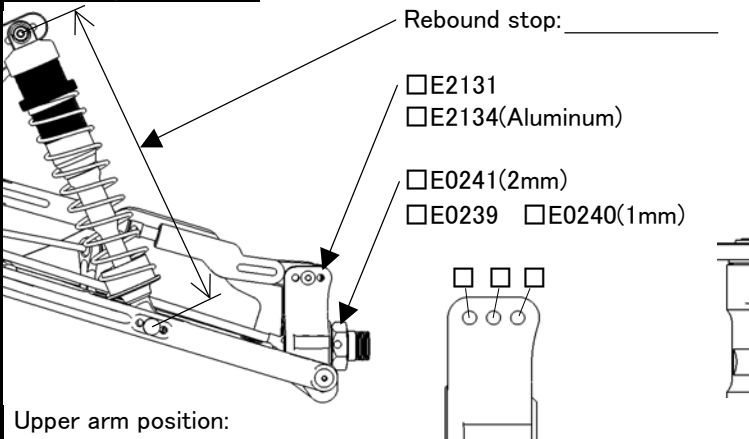
Piston: \_\_\_\_\_ Oil: \_\_\_\_\_  
 Spring: \_\_\_\_\_  
 Shock position:  
  
 Pivot ball position:  
 Front  Rear

**Steering ackerman**  
 ↑ Front

**Front upper plate**  
 E2148D  E2158(CFRP)

**Servo saver arm**  
 E2301A  E2310(Aluminum)

**Rear suspension**



Ride height: \_\_\_\_\_  
 Camber angle: \_\_\_\_\_  
 Lower arm plate:  
 E2162A,B  
 E2167(CFRP)  
 Anti roll bar: \_\_\_\_\_  
 Lower arm spacer:  
  
 Upright spacer: \_\_\_\_\_

**Rear shocks**

Piston: \_\_\_\_\_ Oil: \_\_\_\_\_  
 Spring: \_\_\_\_\_  
 Shock position:  
  
 Pivot ball position:  
 Front  Rear

**Center shaft**  
 E2215,E2216(CVD)  E2230,E2231

**Tension rod**  
 Front:  E2107A(Long)  E2107B(Short)  
 Rear:  E2148C  E0803(Rubber)

**Engine**

Type: \_\_\_\_\_ Plug: \_\_\_\_\_ Reducer: \_\_\_\_\_  
 Muffler: \_\_\_\_\_ Fuel: \_\_\_\_\_ Gasket: \_\_\_\_\_  
 Engine mount:  E0701(Standard)  E2713(One piece)

**Diff. gear**

Oil \_\_\_\_\_  
 Front: \_\_\_\_\_  
 Rear: \_\_\_\_\_  
 Center:  44T  45T  46T  
 47T  48T

**Tires**

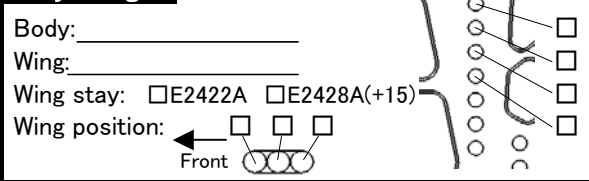
Type: \_\_\_\_\_ Front \_\_\_\_\_ Rear \_\_\_\_\_  
 Compound: \_\_\_\_\_  
 Inserts: \_\_\_\_\_  
 Wheel: \_\_\_\_\_

**Clutch**

Clutch bell:  13T  14T

	φ 0.9	φ 0.95	φ 1.0	φ 1.05	φ 1.1
A	<input type="checkbox"/> C0754	<input type="checkbox"/> E0704	<input type="checkbox"/> E0710		
B	<input type="checkbox"/> C0754	<input type="checkbox"/> E0704	<input type="checkbox"/> E0710		
C	<input type="checkbox"/> C0754	<input type="checkbox"/> E0704	<input type="checkbox"/> E0710		

**Body/Wing**



**Comments**

.....  
 .....  
 .....